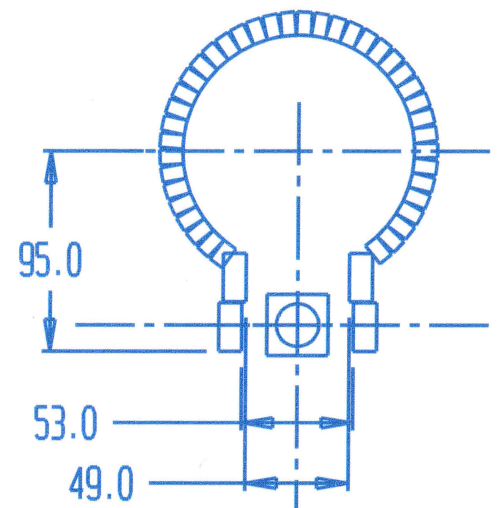
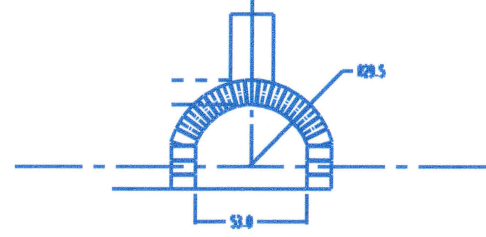


SECTION A-A



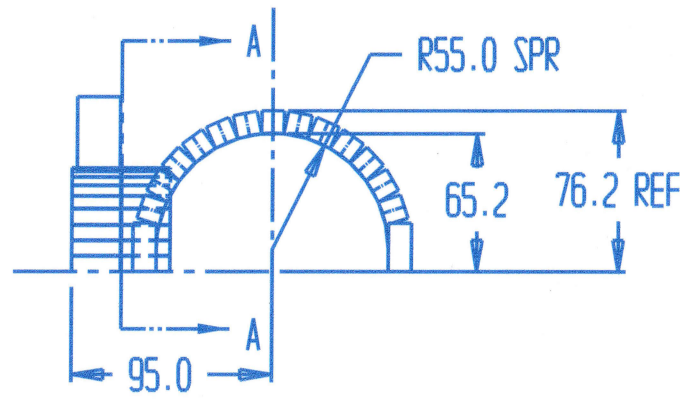
TOP VIEW BASE SECTION



FRONT VIEW

REVEL AND OPEN SOME UP  
SLOAN FOR CLARITY

DIMENSIONS IN CM.



SIDE VIEW