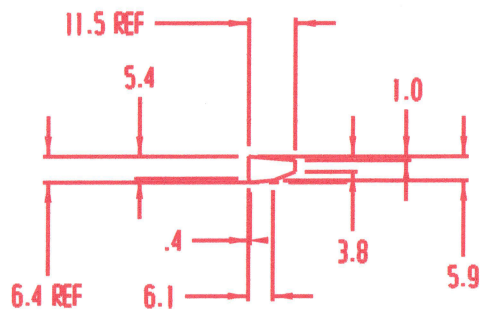
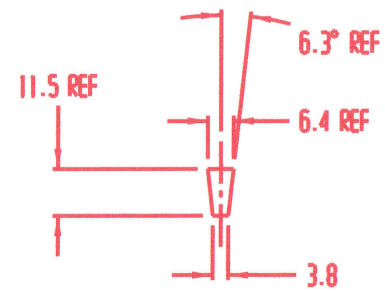


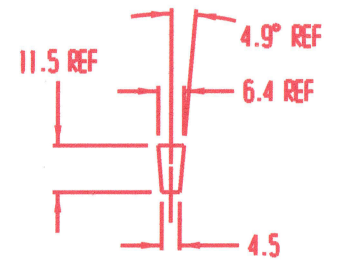
SMALL FILLER BRICK  
(2 REQUIRED)



LARGE FILLER BRICK  
(2 REQUIRED)



CROWN BRICK



ALL OTHER BRICKS  
(12 REQUIRED)

## BRICKS FOR OUTER ENTRY