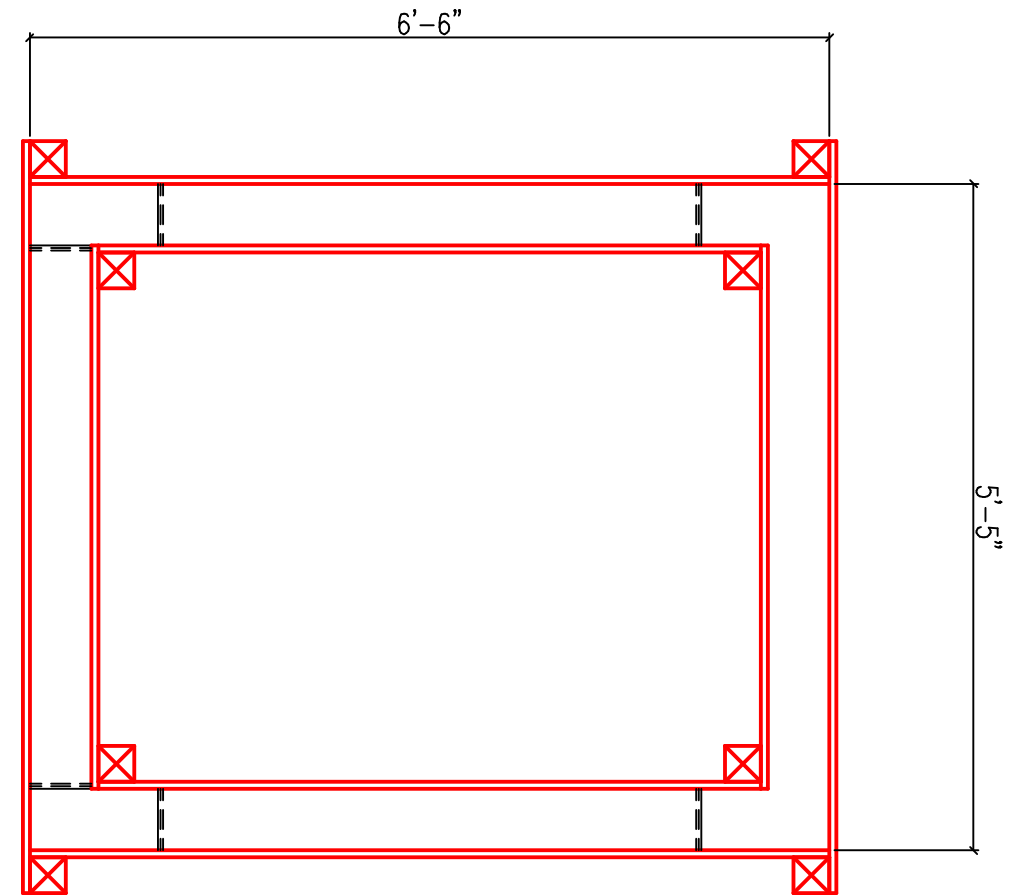
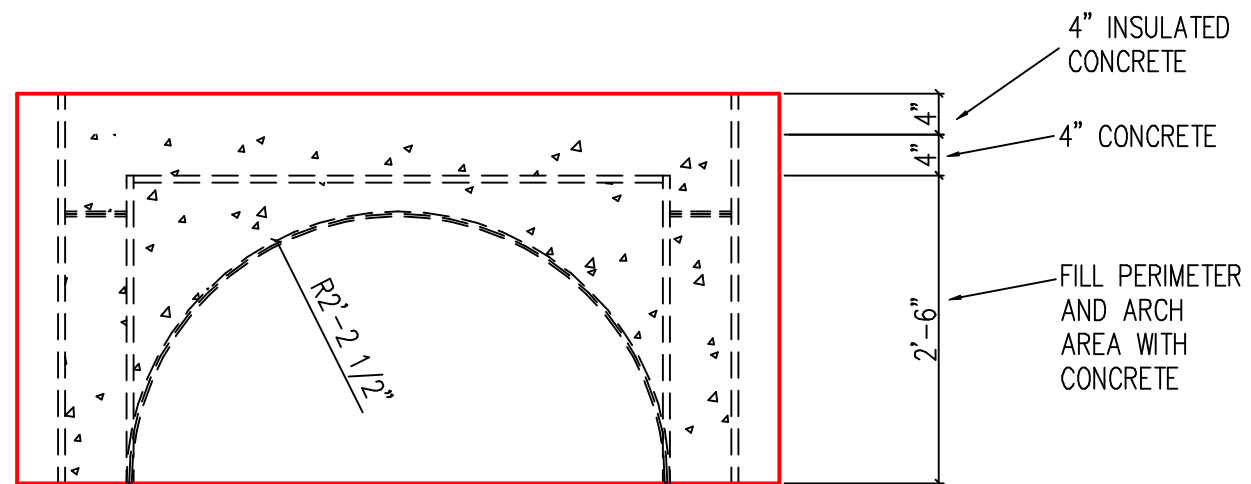


PLAN VIEW



RIGHT & LEFT ELEVATION



FRONT ELEVATION

