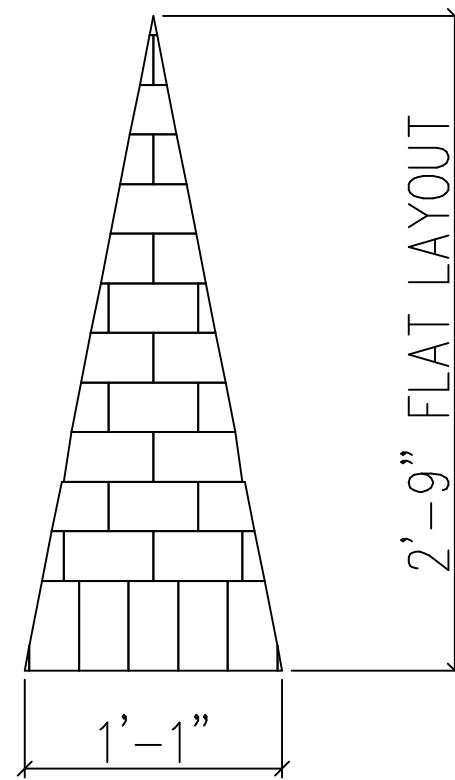
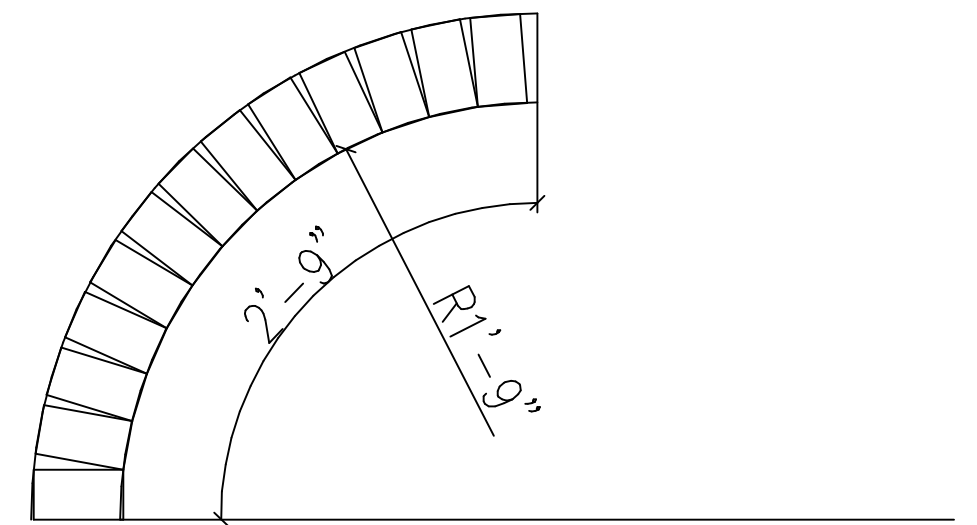


TOP VIEW OF THE DOME



SEGMENT 10 REQ'D



SEGMENT SIDE VIEW