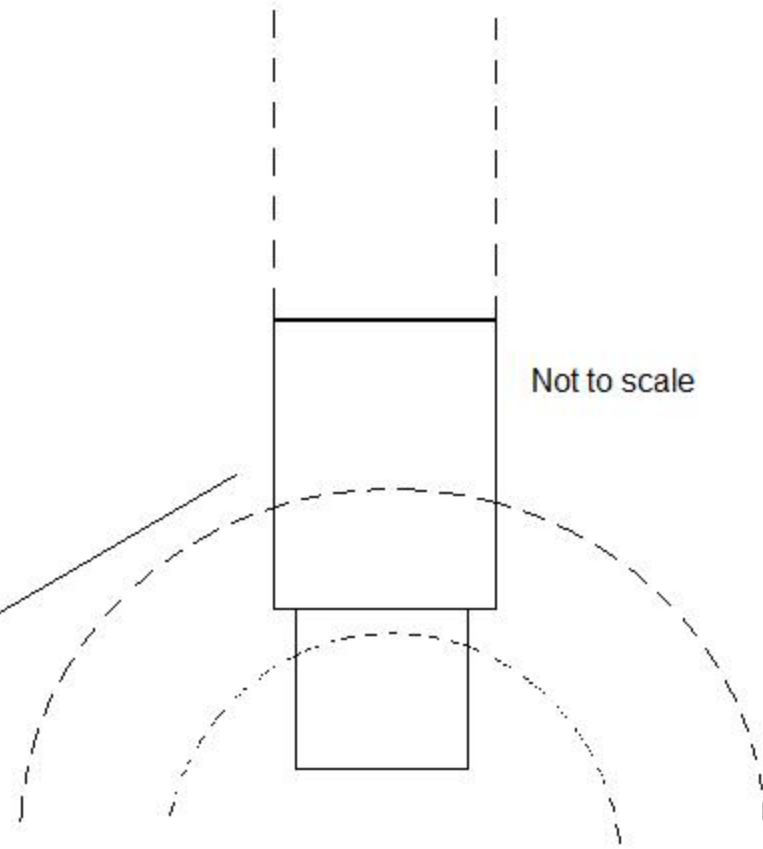
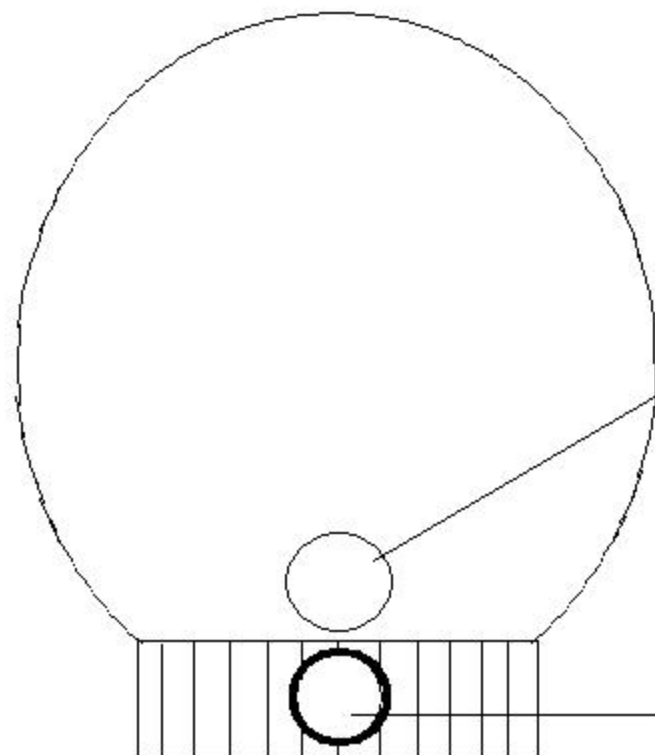
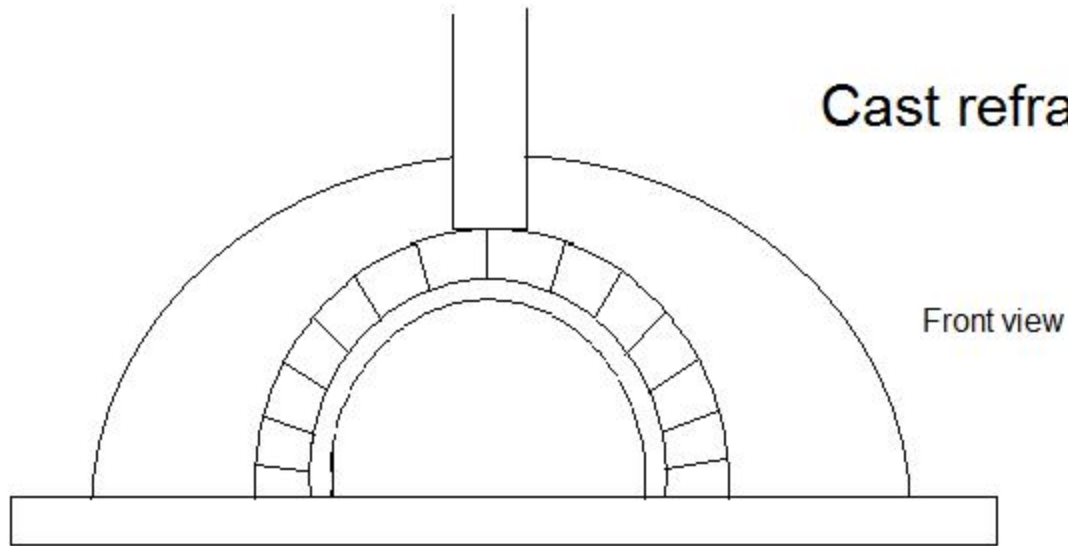


Cast refractory dome with single brick front arch



Chimney mould to create seat for real chimney
but how to choke??

Logical option to choke chimney, but how to do?