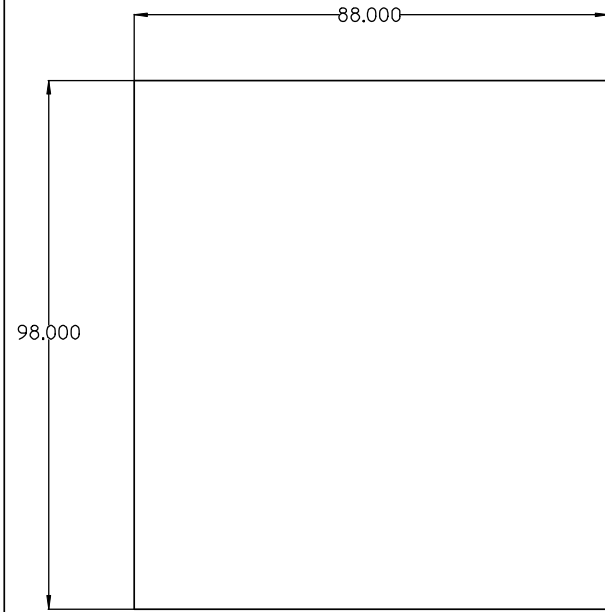
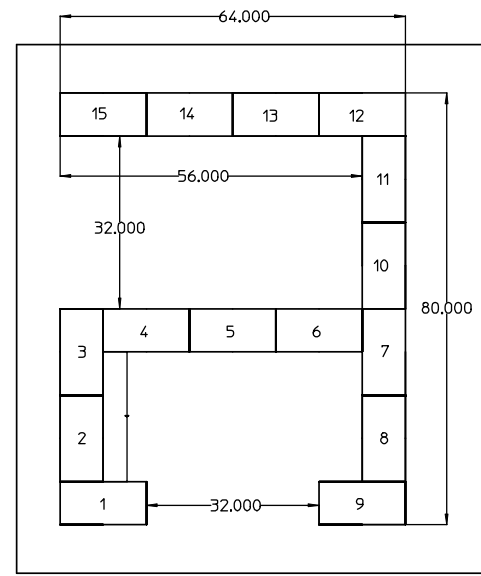


FOUNDATION



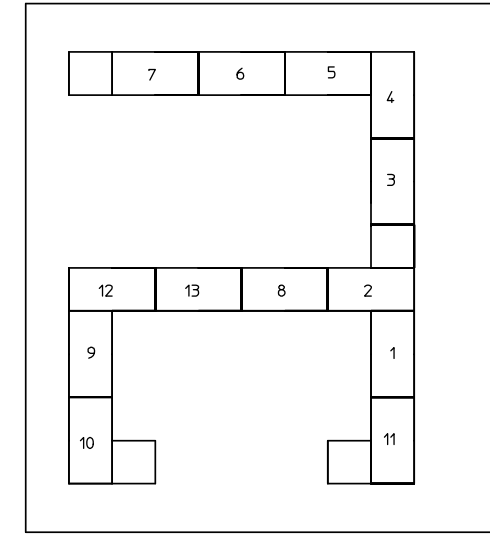
FRONT

ROW 1



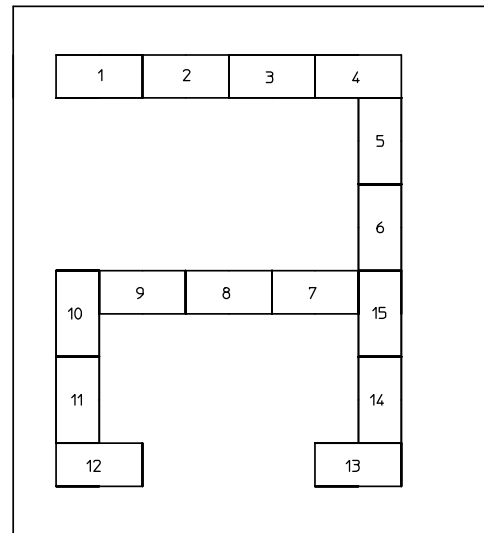
FRONT

ROW 2



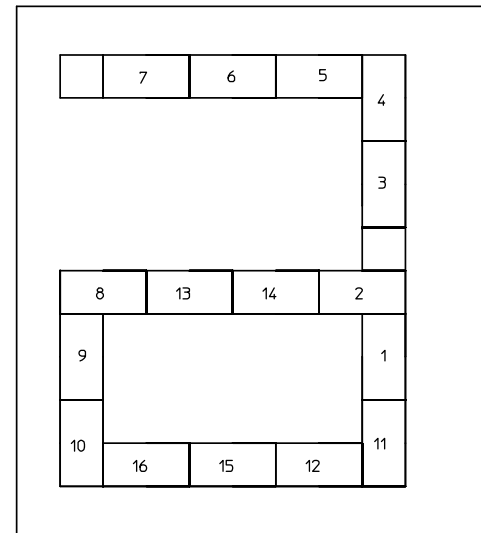
FRONT

ROW 3

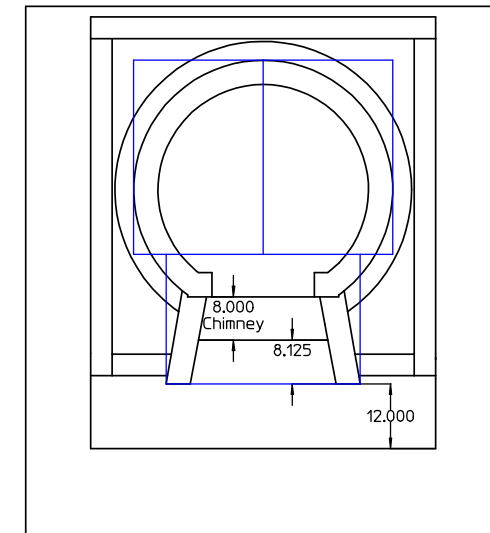


FRONT

ROW 4



FRONT



FRONT

FULL BRICKS NEEDED = 59
1/2 BRICKS NEEDED = 6