
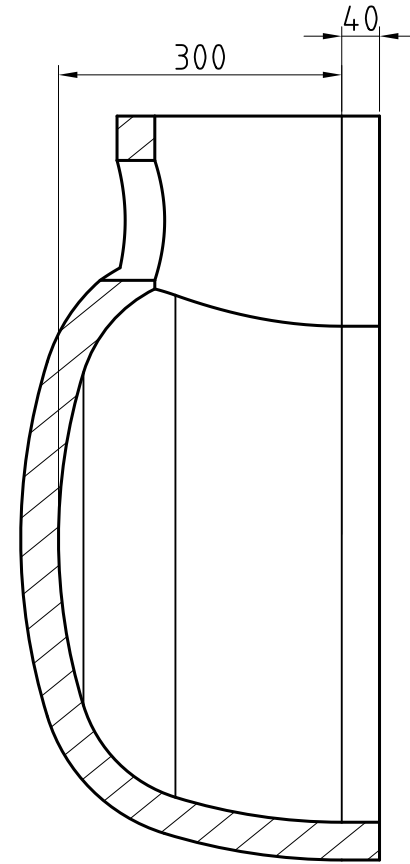
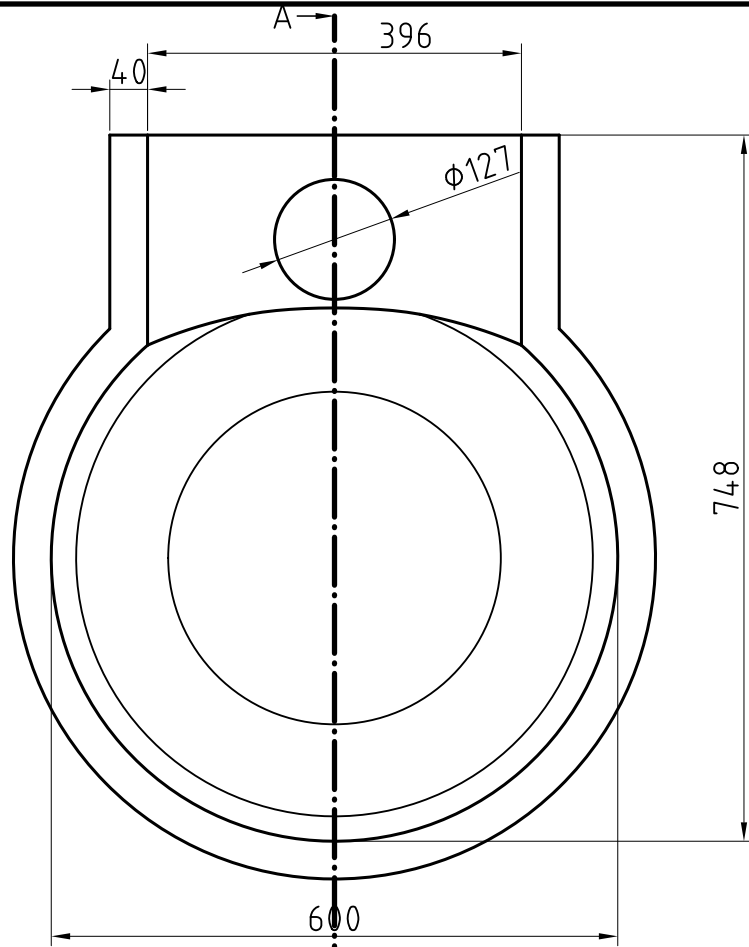


UNLESS OTHERWISE SPECIFIED: DIMENSIONS ARE IN MM ANGULAR $\angle = \pm ^\circ$ FRACTIONAL = \pm SURFACE FINISH \checkmark DO NOT SCALE DRAWING BREAK ALL SHARP EDGES AND REMOVE BURRS FIRST ANGLE PROJECTION 	NAME	SIGNATURE	DATE	<h1 style="text-align: center;">Pizza Oven</h1>	
	DRAWN	allanw	21/02/2016		
	CHECKED				---
	APPROVED				
	MATERIAL	FINISH	SIZE	DWG NO.	REV.
			A4		---
			SCALE	WEIGHT	SHEET
			1:16		1 of 3



SECTION A - A

