

SCALE 1:6

UNLESS OTHERWISE SPECIFIED:
DIMENSIONS ARE IN MM

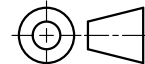
ANGULAR $\angle = \pm^\circ$
FRACTIONAL $= \pm$

SURFACE FINISH 

DO NOT SCALE DRAWING

BREAK ALL SHARP EDGES
AND REMOVE BURRS

THIRD ANGLE PROJECTION



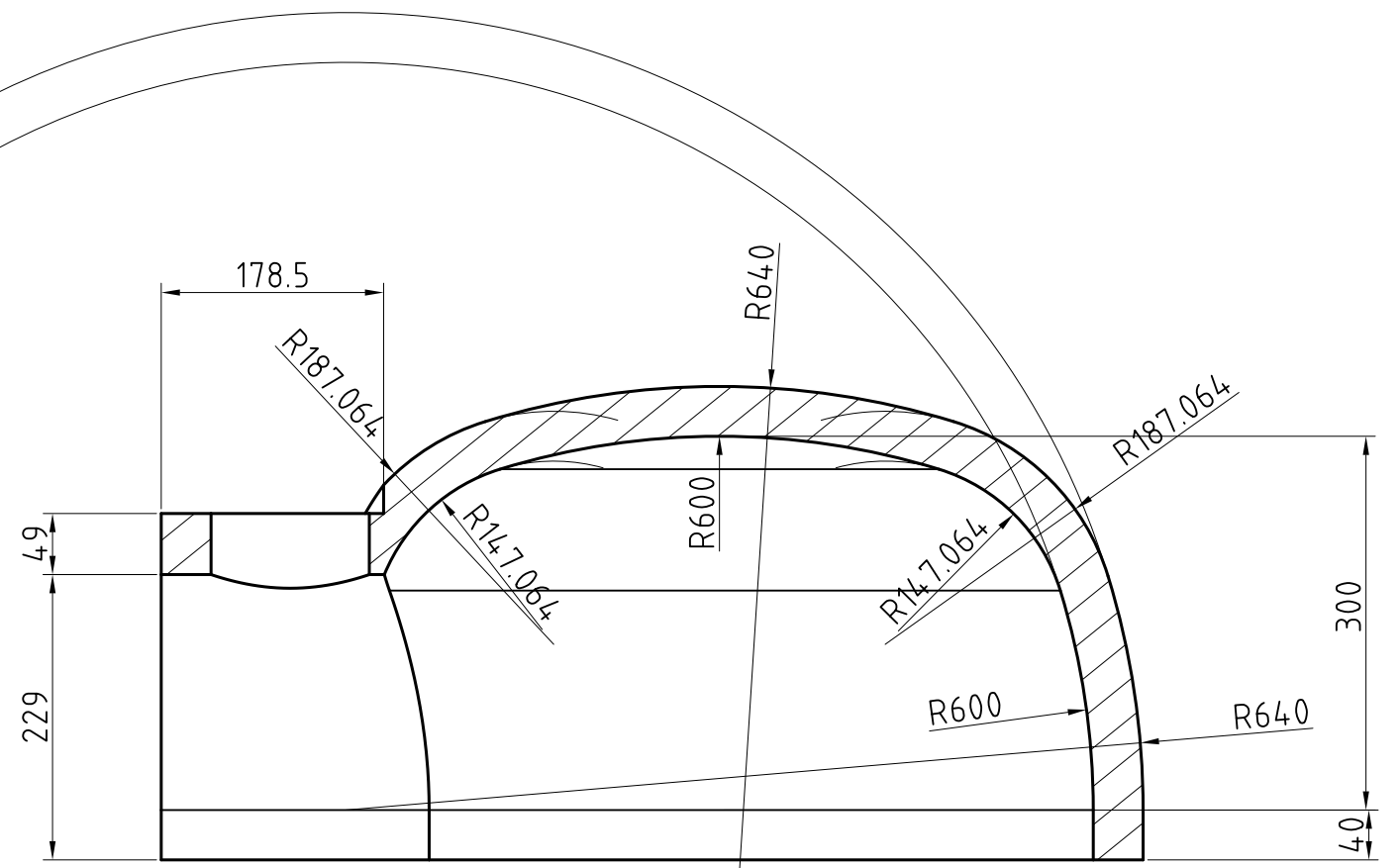
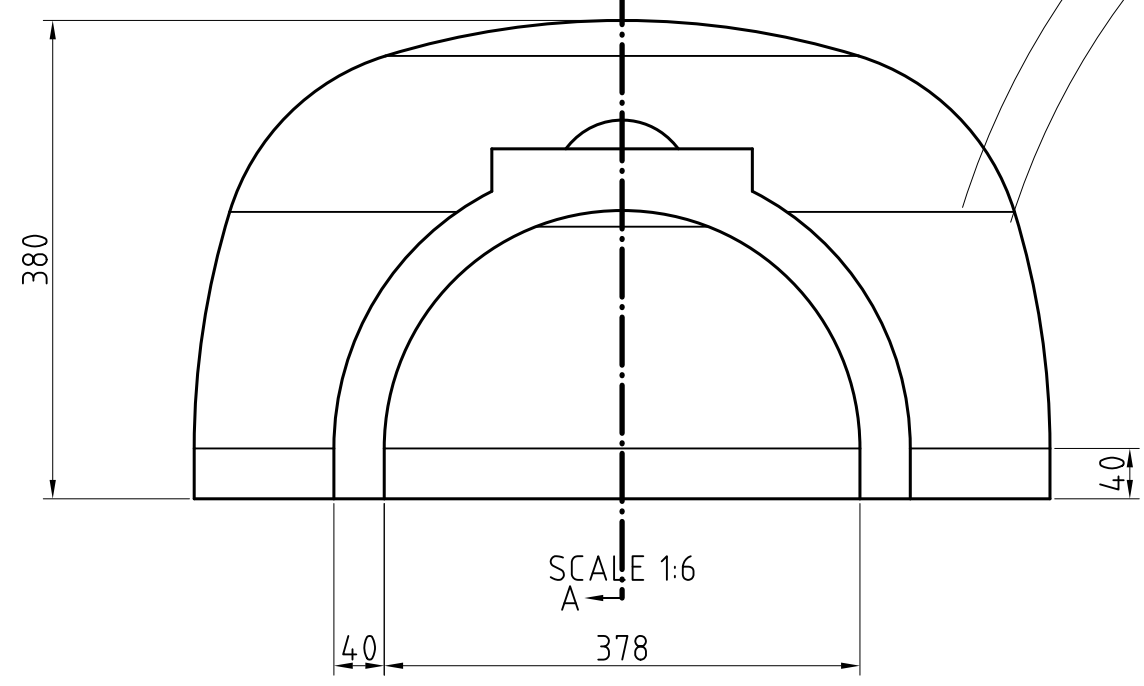
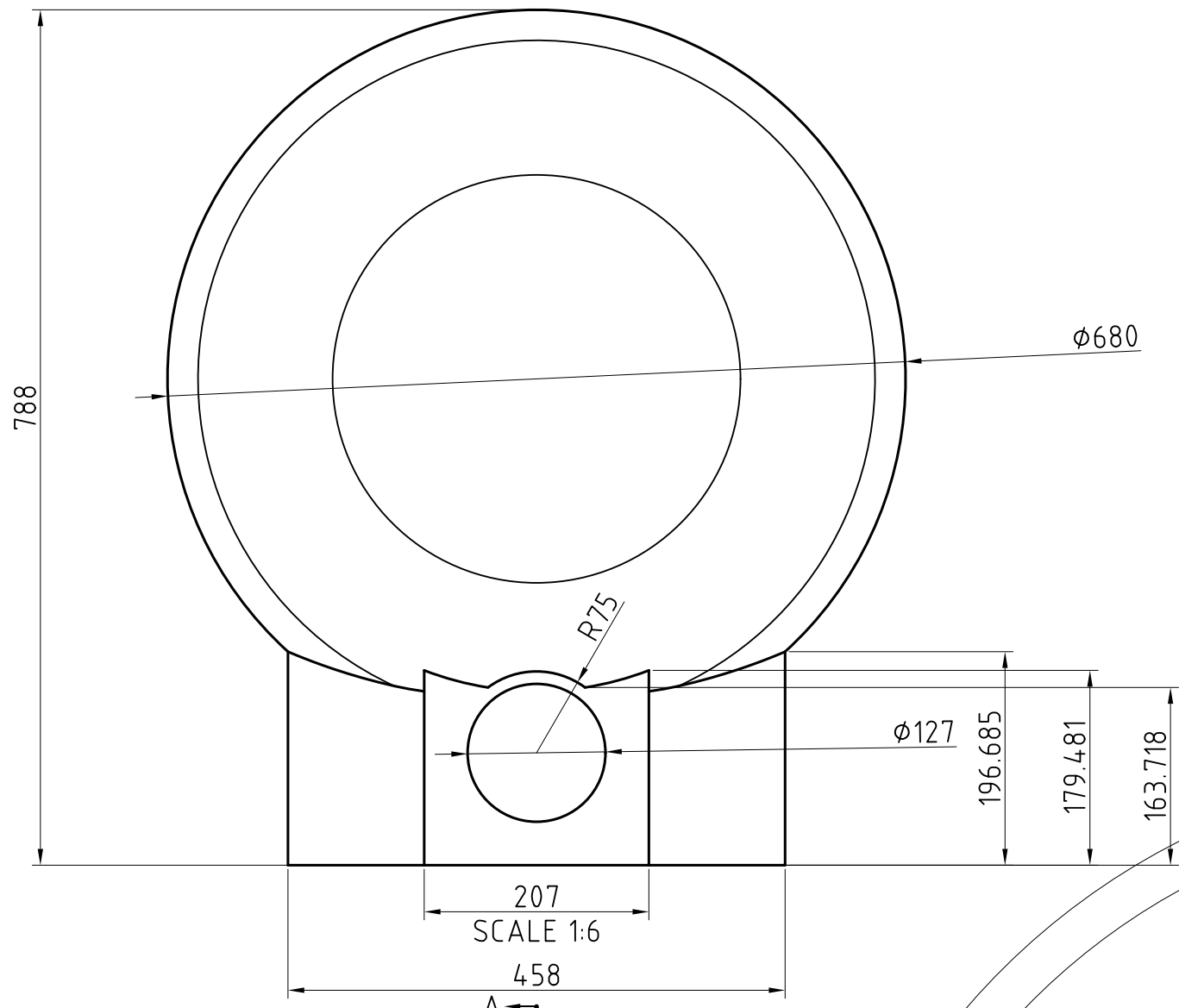
	NAME	SIGNATURE	DATE
DRAWN	allanw		2016-02-29
CHECKED			
APPROVED			
MATERIAL	FINISH		

Pizza Oven			
Assembly			
SIZE	DWG NO.	REV.	
A3		-	-
SCALE	WEIGHT	SHEET	1 of 5

6 5 4 3 2 1

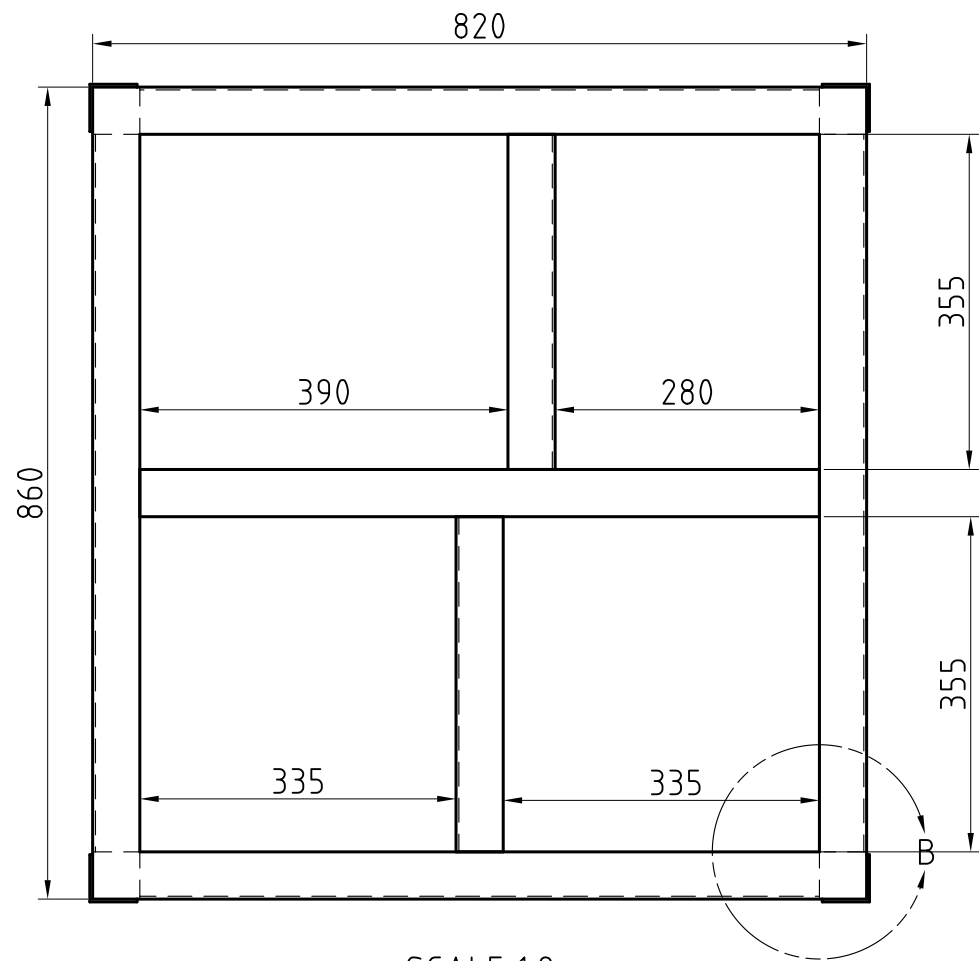
D
C
B
A

D
C
B
A

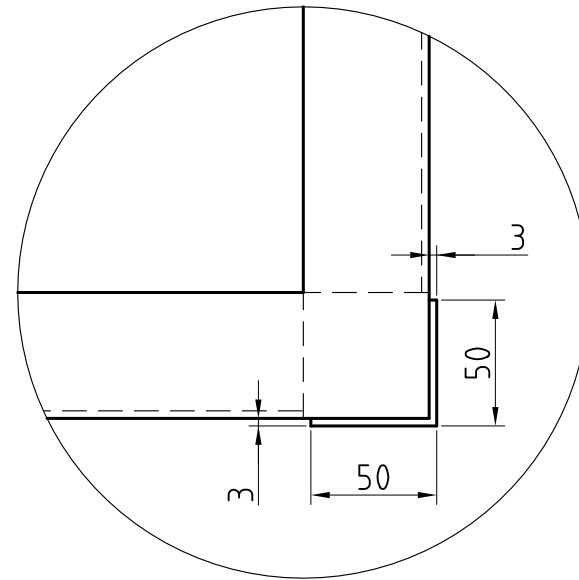


6 5 4 3 2 1

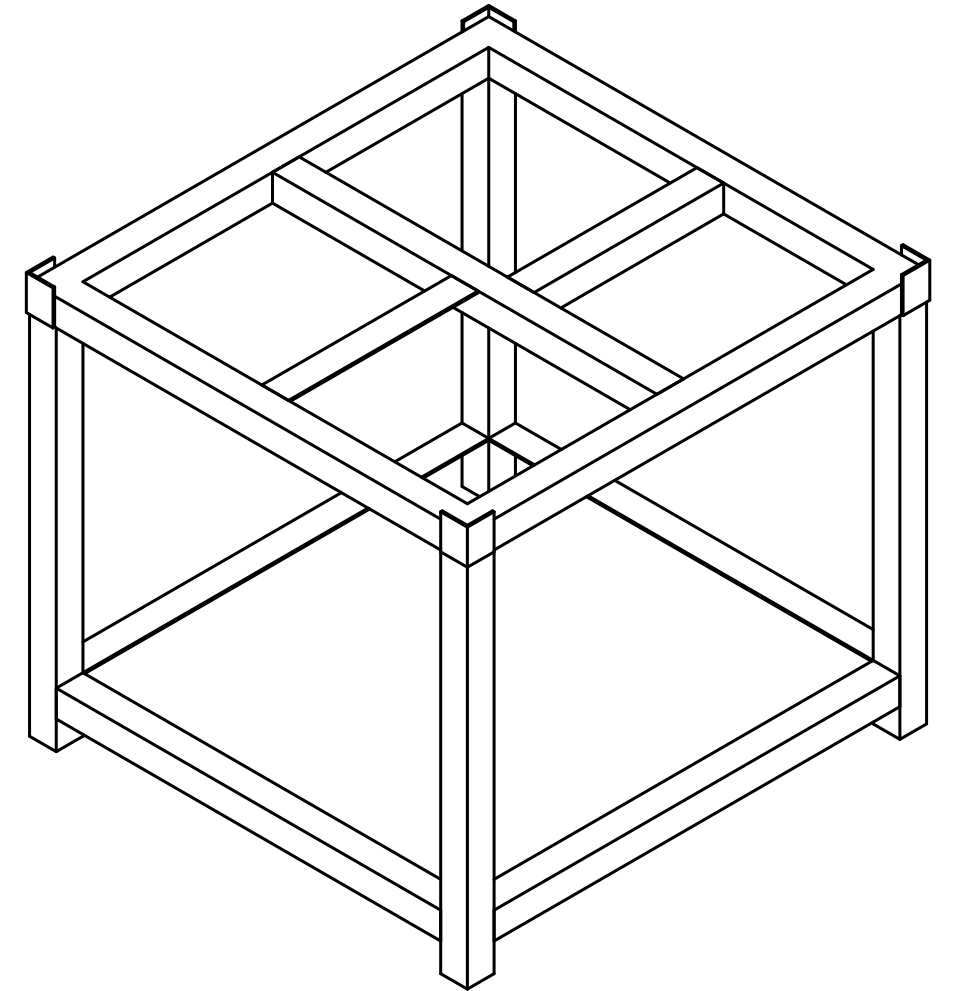
6 5 4 3 2 1



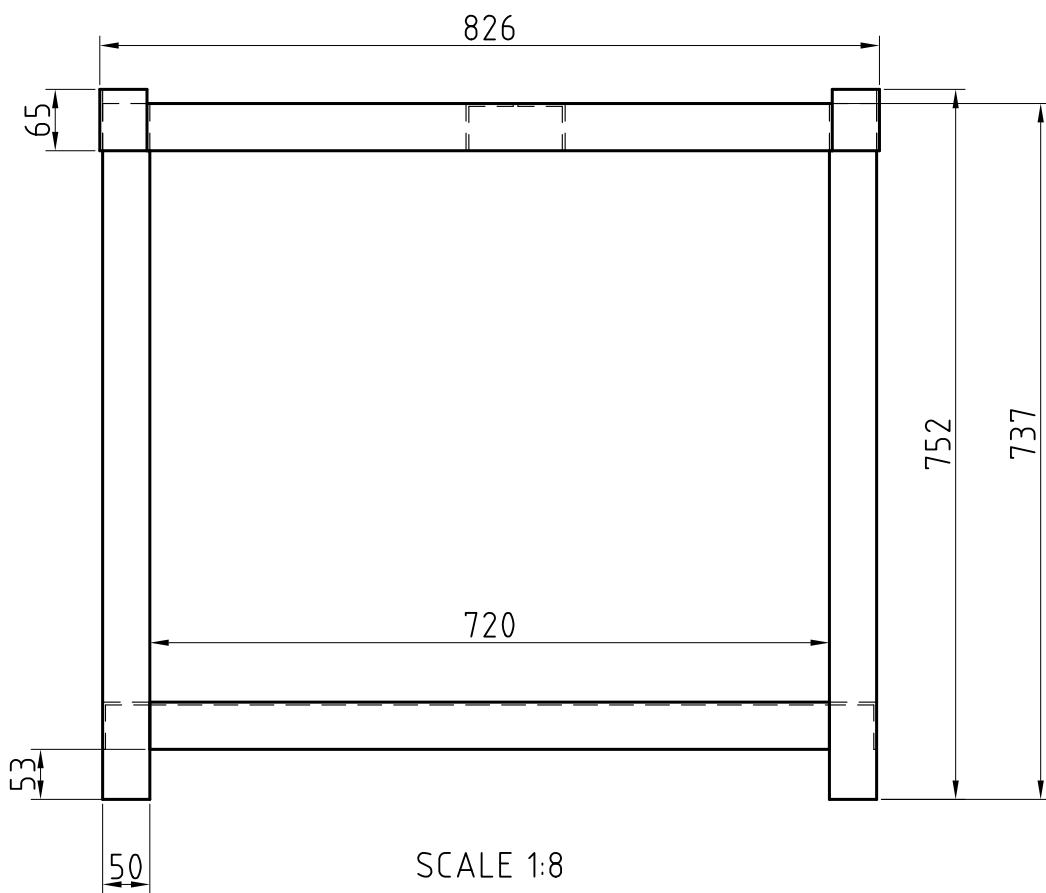
SCALE 1:8



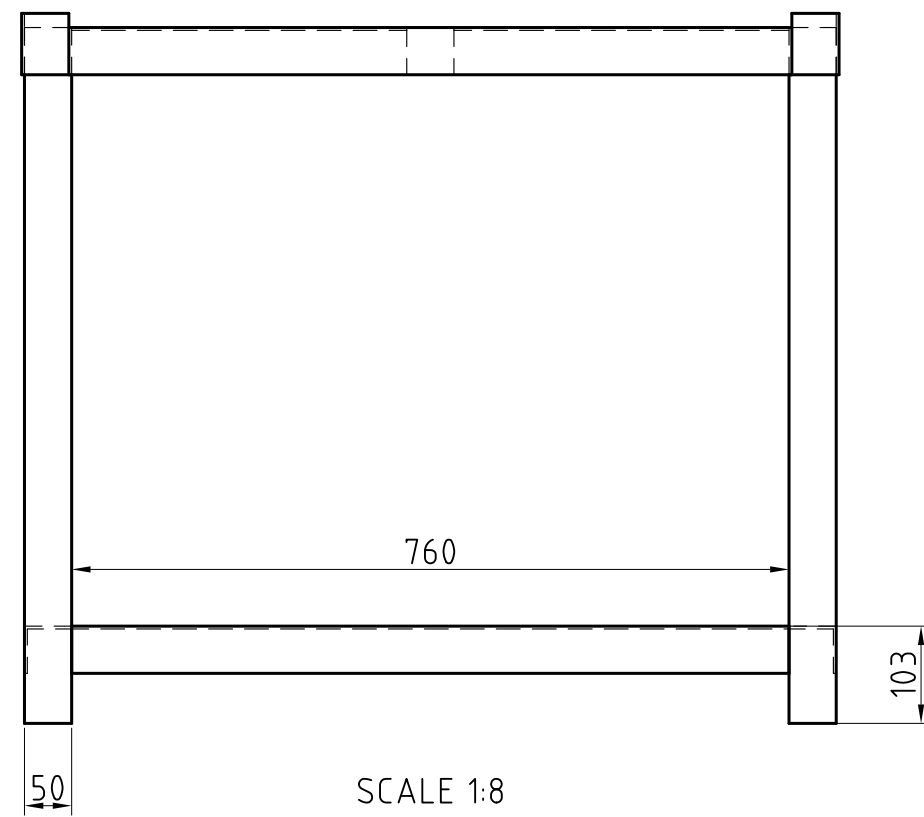
DETAIL B
SCALE 1:3



SCALE 1:10



SCALE 1:8



SCALE 1:8

6 5 4 3 2 1

D
C
B
A

D
C
B
A

6

5

4

3

2

1

D

D

SCALE 1:3

0.8

C

C

287

47.144

388

B

B

R289

R189

40

378

90

A

A

SCALE 1:3

578

6

5

4

3

2

1

6

5

4

3

2

1

D

D

C

C

B

B

A

A

