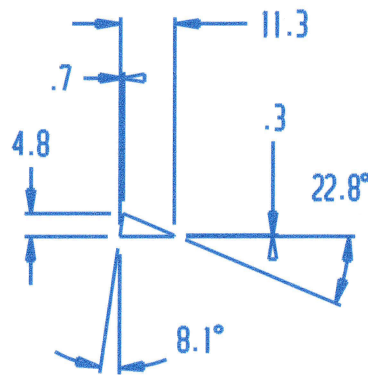
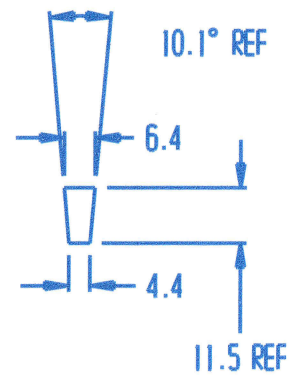


ALL OTHER BRICKS FOR
NARROW ENTRY (12 REQUIRED))



TRANSITION BRICK
ENTRY (2 REQUIRED)



CROWN BRICK
ENTRY (1 REQUIRED)

BRICKS FOR INNER ENTRY