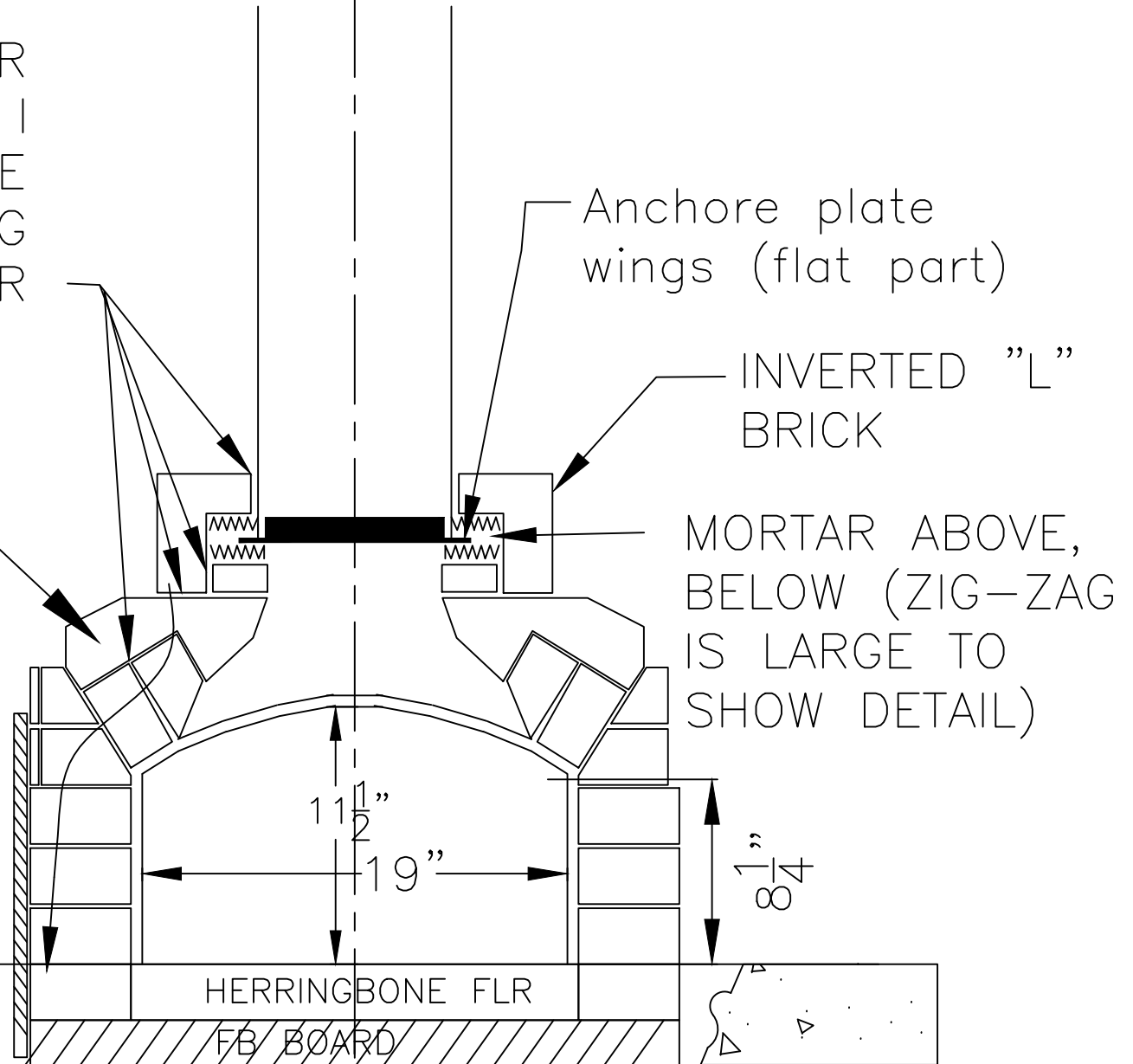


HOW I ATTACHED MY ANCHORE PLATE BY MORTAR ONLY

THERE IS MORTAR
HERE TOO BUT I
SHOWED THE
ZIG-ZAG
STUFF LARGER

These are my
"quaker-hat" bricks
worked so well to
bridge my wide
opening and transfer
the load out to the
arch sides. Worked
really well!



MORTAR ABOVE,
BELOW (ZIG-ZAG
IS LARGE TO
SHOW DETAIL)