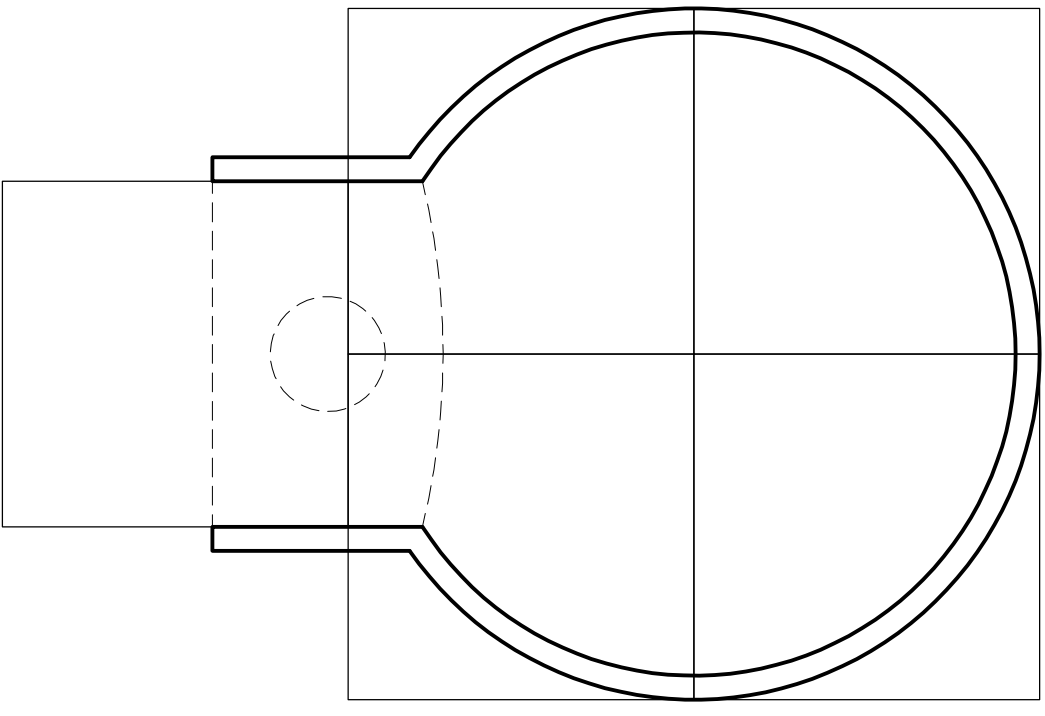
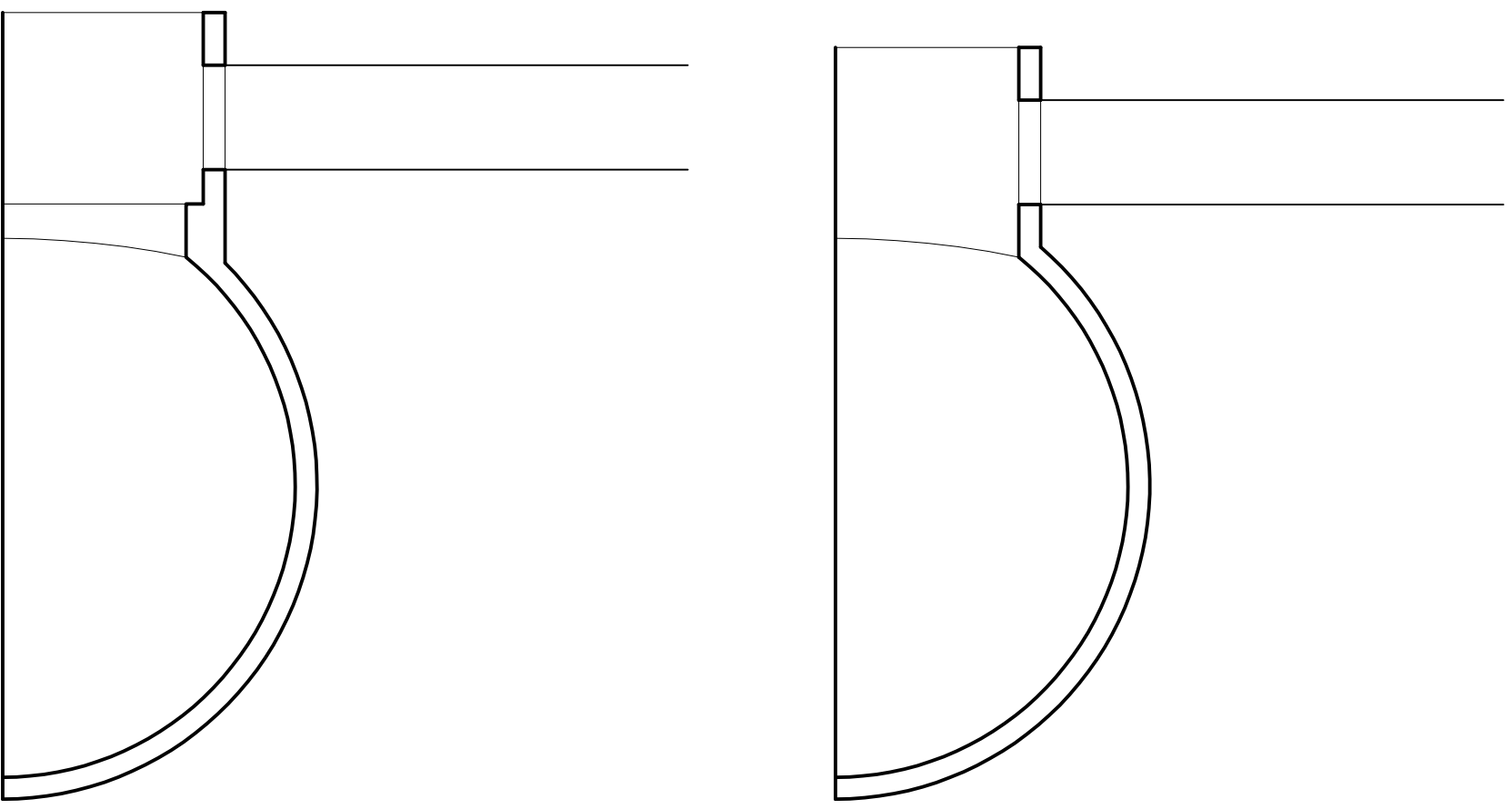
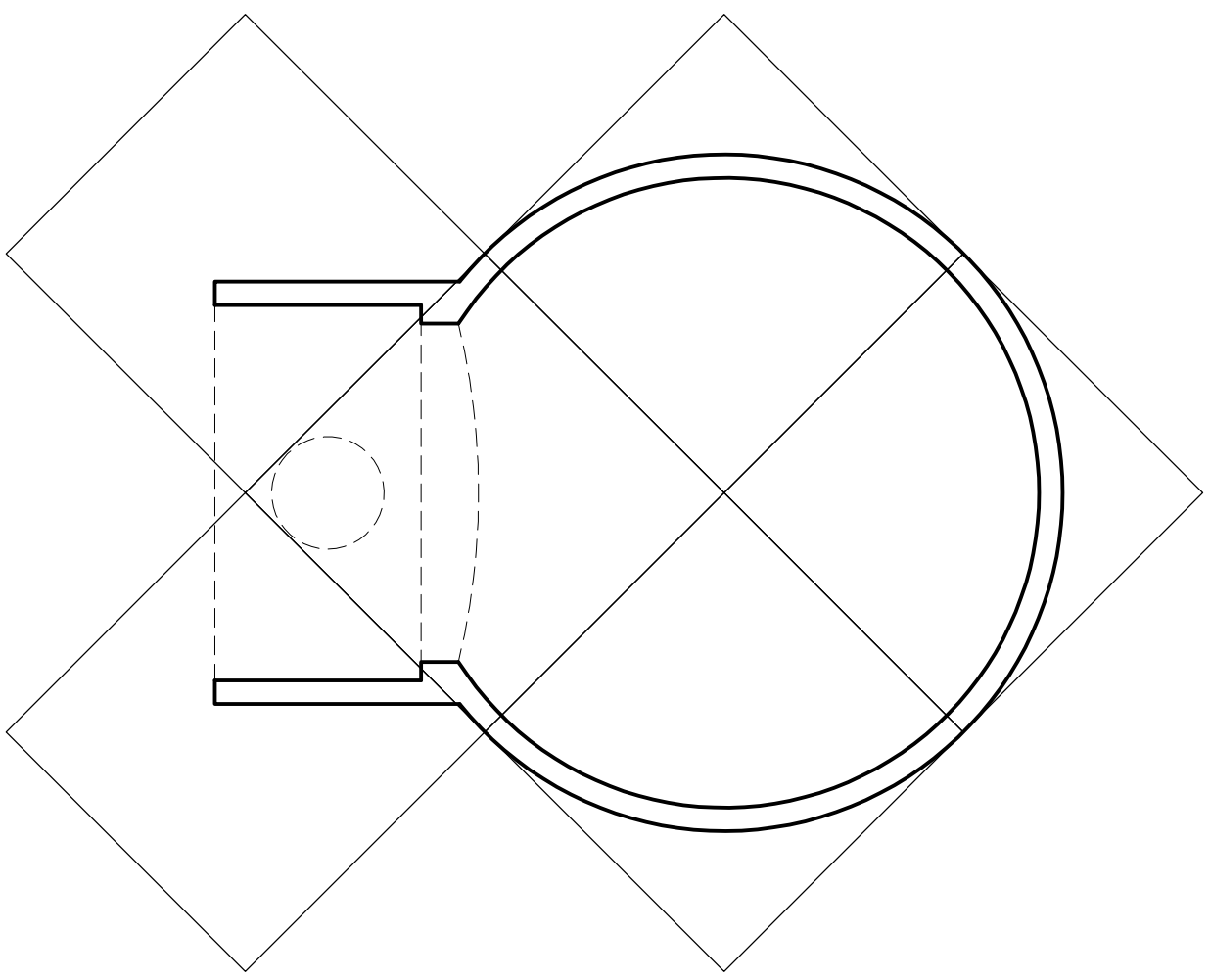


1:100 0 1 000 2 000 3 000 4 000 5 000 1:50 0 1 000 2 000 1:20 0 500 1 000 1:25 0 500 1 000



ALL DIMENSIONS & LEVELS ARE TO BE VERIFIED ON SITE BY CONTRACTOR AND/OR SURVEYING INSTRUMENTS BEFORE COMMENCING WORK AND/OR SHOP DIVS. SHOP DRAWINGS MUST BE SUBMITTED TO OUR OFFICE FOR COMMENT PRIOR TO MANUFACTURE. FIGURED DIMENSIONS ARE TO BE FOLLOWED IN PREFERENCE TO SCALING. DISCREPANCIES BETWEEN DIMS & SPECIFICATION TO BE POINTED OUT PRIOR TO COMMENCING WORK. COPYRIGHT RESERVED. TIMELESS ARCHITECTURES DESIGNS, CALCULATIONS, CAD FILES, DRAWINGS & DOCUMENTS ARE THE PROPERTY OF TIMELESS ARCHITECTURES AND WILL BE REPRODUCED, MODIFIED OR IN PART, WITHOUT PRIOR WRITTEN CONSENT WILL RESULT IN COURT PROCEEDINGS.

Timeless
Architecture



T
a



TIMELESS ARCHITECTURE
OFFICE ADDRESS: 221 HIGH STREET, SOLWAY, MASTERTON
MAIL ADDRESS: 30 KIBBLEWHITE ROAD, MASTERTON, 5910
PHONE: +64(0)9 304 8944 MOBILE: +64(0)27 553 7979
E: mark@timelessarch.com www.timelessarch.com

CLIENT:

CHECK THAT THIS IS THE LATEST REVISION OF THIS DRAWING.
NO. REVISION DESCRIPTION:
A FIRST ISSUE

DATE: 24-02-2021

DRAWING DESCRIPTION:
BOOGIE'S OVEN - OPTIONS

PROJECT DESCRIPTION:
LOT NO: DP NO: TITLE NO:

TERRITORIAL AUTHORITY:
LAND DISTRICT:

KEY: INITIALS: DATE:
DESIGNED: **MJ**
DRAWN: **MJ**
CHECKED:
APPROVED:

DRAWING ISSUE STAMP:
DRAFT

SCALE @ A1: **1:5**
SCALE @ A3: **1:10**
WHEN REQUESTING INFORMATION, PLEASE QUOTE THIS REF. DWG NAME: **T15005-1.dwg**

PROJECT NUMBER: DRAWING NUMBER:
T15005 -11 -A

REVISION: